

6

5

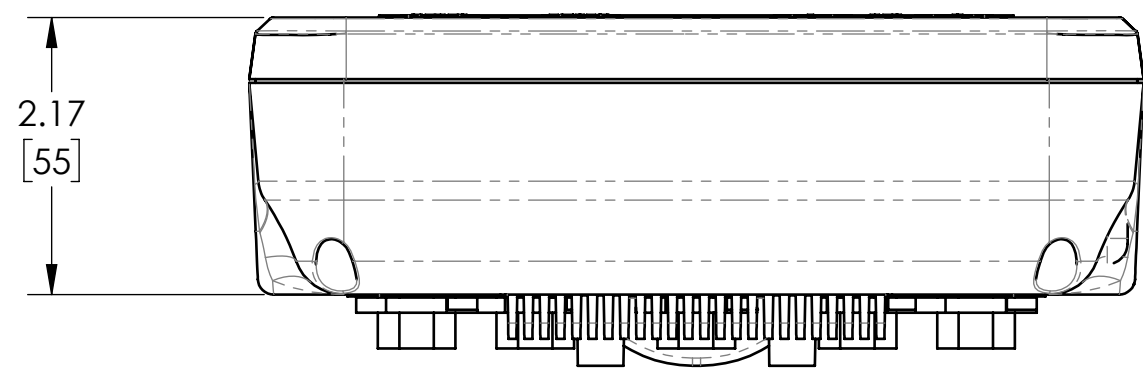
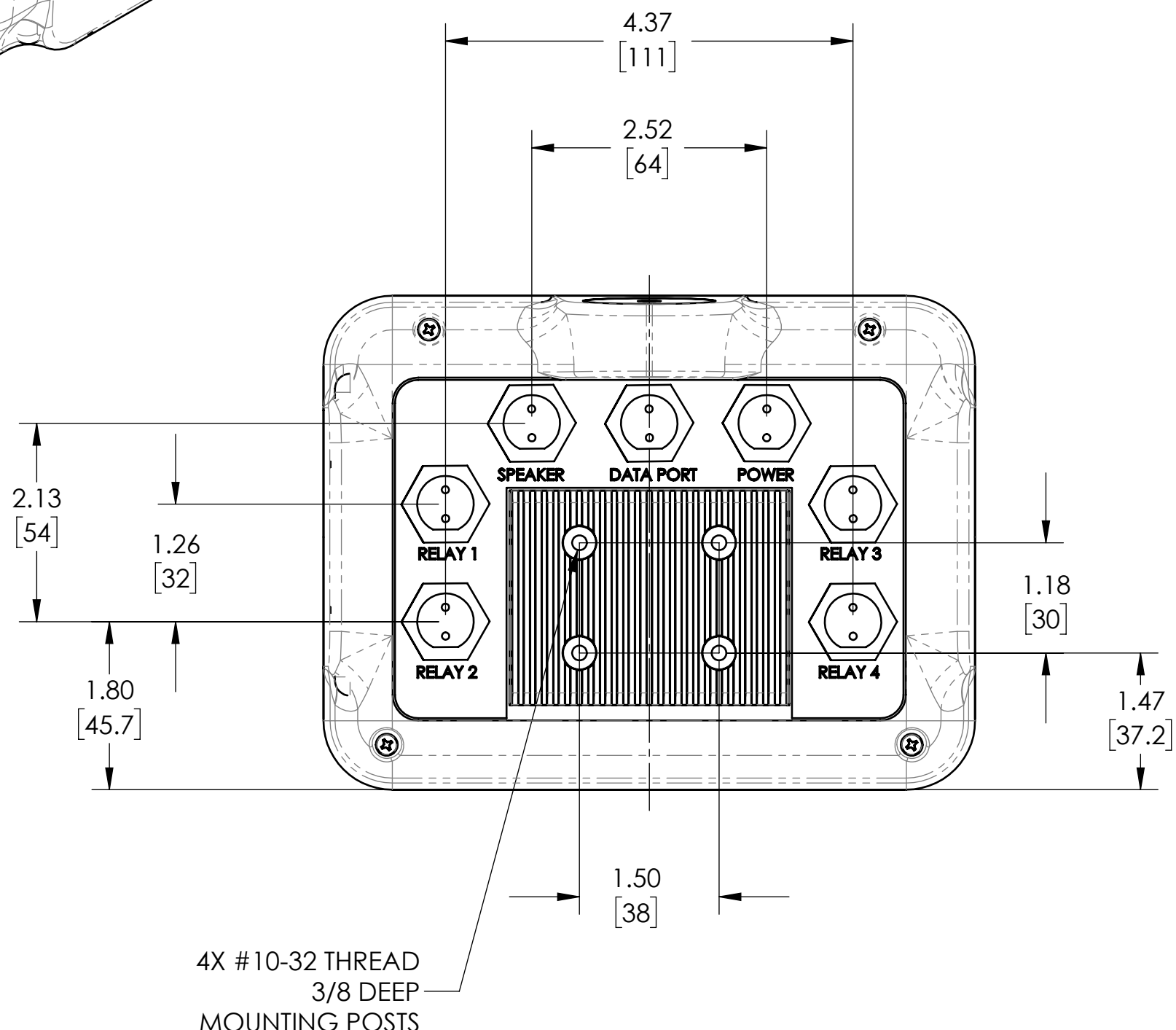
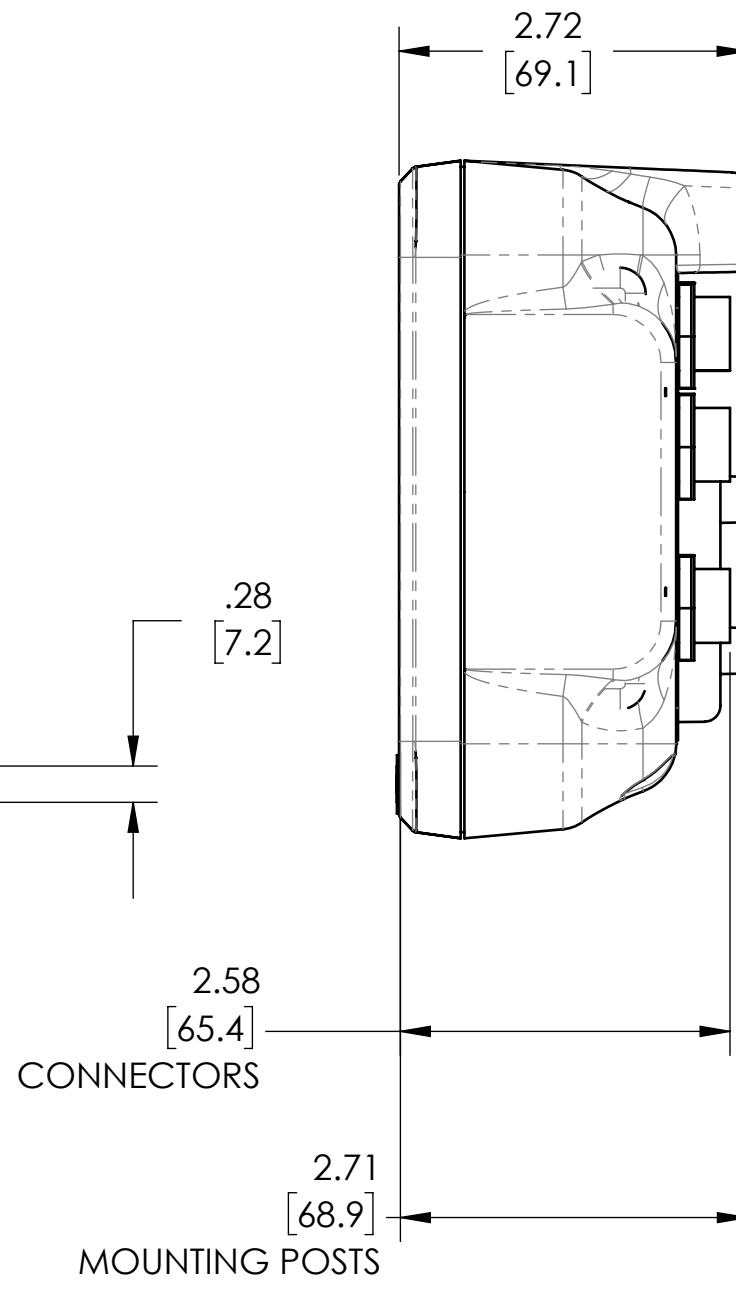
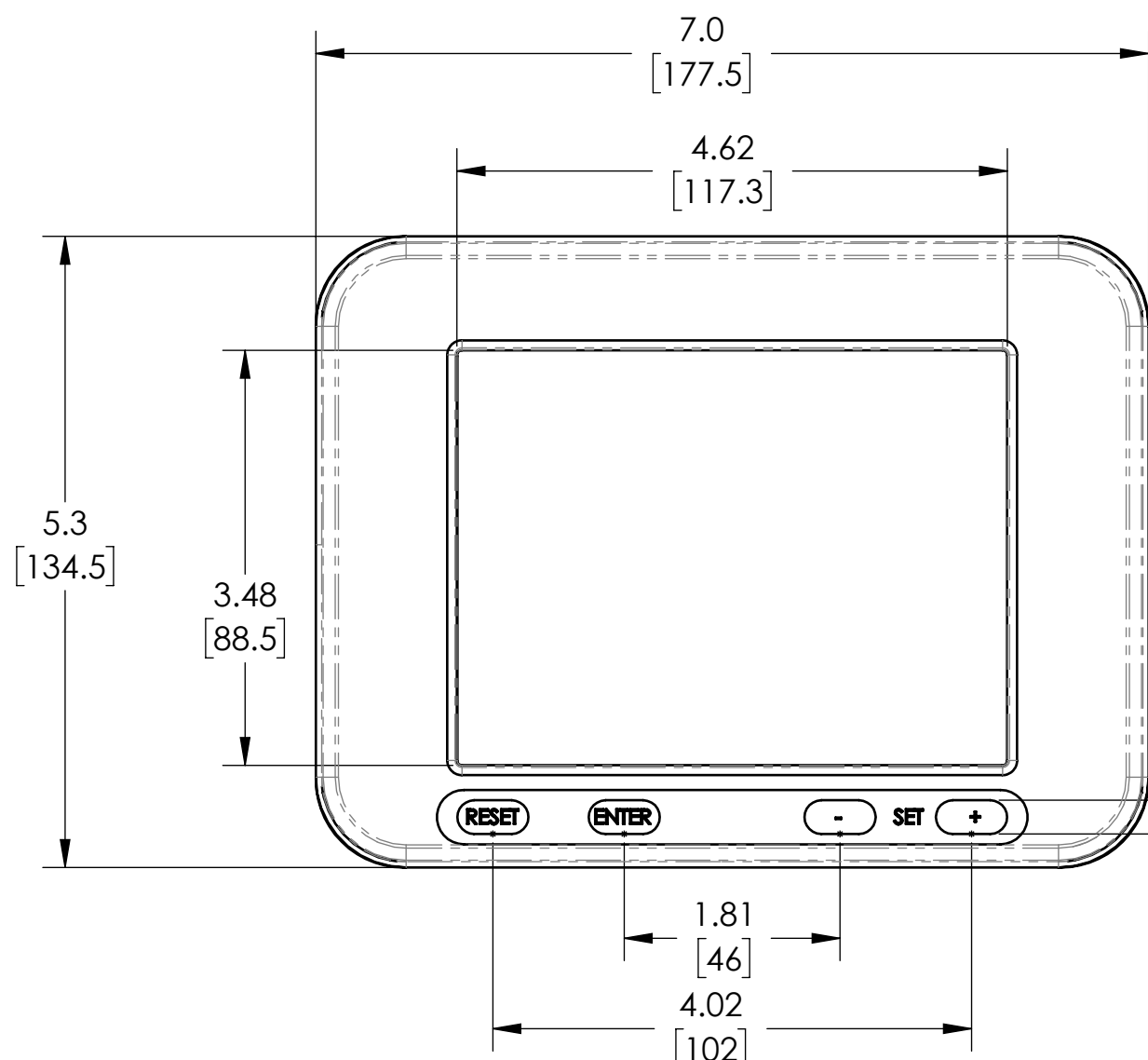
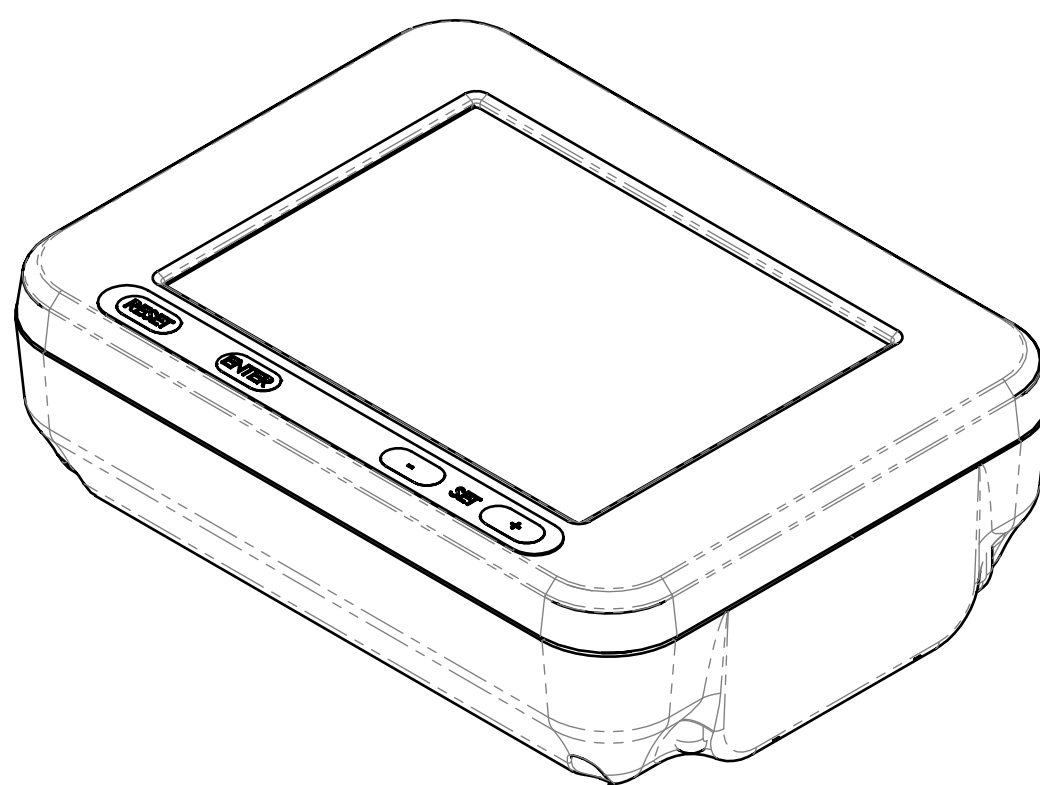
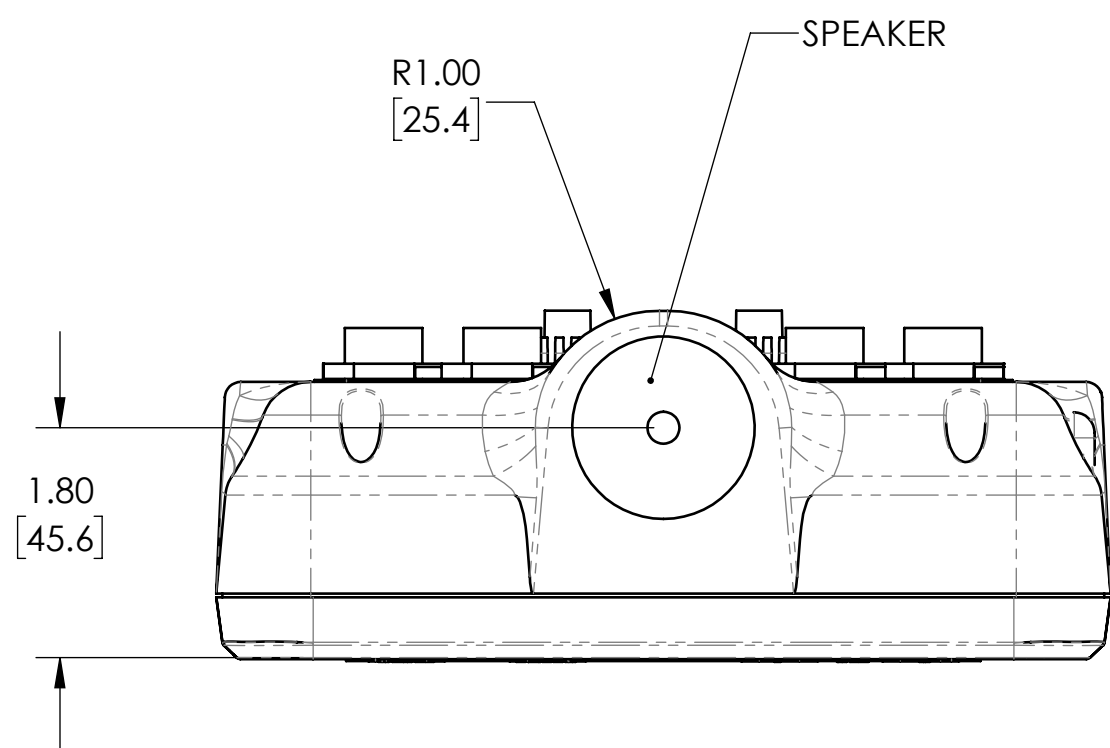
4

3

2

1

REVISIONS				
REV	ZONE	DESCRIPTION	DATE	BY
x1	ALL	INITIAL RELEASE	11/30/17	MMB



THIS DRAWING AND ALL THE INFORMATION THEREIN IS THE PROPERTY OF SIGALARM. THIS DRAWING IS CONFIDENTIAL AND MAY NOT BE MADE PUBLIC OR REPRODUCED WITHOUT THE EXPRESS PERMISSION OF SIGALARM. THIS DRAWING IS LOANED SUBJECT TO RETURN UPON DEMAND AND SHALL NOT BE USED DIRECTLY OR INDIRECTLY IN ANY WAY DETRIMENTAL TO THE INTERESTS OF SIGALARM

THIRD ANGLE PROJECTION

4150 ST. Johns Parkway Suite 1002  
Sanford, FL 32771  
Toll Free: (800) 589-3769  
Phone: (407) 321-0722  
Fax: (407) 321-0723

DRAWN BY: M. BARBER		DATE 11/30/17	SIZE C	TITLE SIGALARM TOUCH SCREEN ASSEMBLY	DWG NO. STS-000 OVERVIEW
INTERPRET DRAWING PER DOD-STD-100 AND ASME Y14.5. DO NOT SCALE DRAWING		SCALE N/A	USED ON	WEIGHT N/A	SHEET 1 OF 1

6

5

4

3

2

1